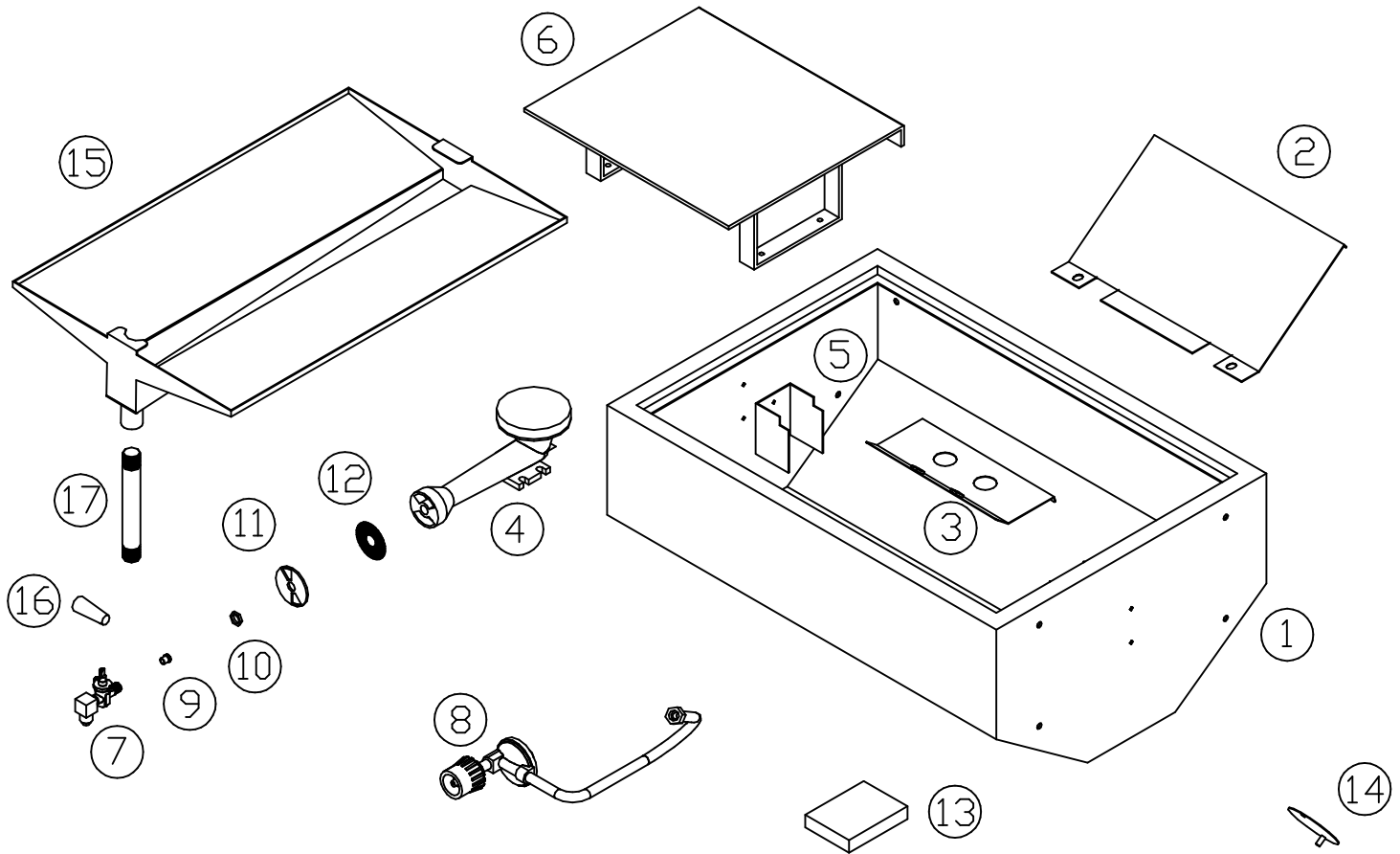


SG3-999EZ

SG-3 Classic II Replacement Bottom EZ Version



#	PN	Description
1	SG3-100	Classic II bottom assembly
2	SG2-100-4	Heat shield, inside rear
3	AG2-106	Air baffle, new style, SS
4	SG2-105	Burner, cast iron
5	AG2-120	Drip pan brackets, alum (2)
6	AG2-107	SS flame deflector
7	SG2-102	Gas valve
8	SG2-109	LP regulator and hose
9		Orifice, #55, comes with valve
10		Jam nut, comes with valve
11		Air shutter disc, comes with burner
12		Insect screen, venturi, comes with burner
13	SG3-1014	Hardware bag, bolts only
14	SG2-532	Lighting hole cover
15	AG2-600	Drip pan
16	SG2-102A	On/Off Knob
17	SG4-910	Drain pipe 3/4"