

FIGURE 1

### INSTRUCTIONS

1. Remove both drawer runners and save all parts.
2. Assemble Searmate(1), sides (4,5) and runners(2,3) as shown in FIGURE 2, using the same screws you took out (8)  
**MAKE SURE THE GAS HOSE DOES NOT INTERFERE WITH TRAY OPERATION AND EMERGES FROM THE UNIT AS INDICATED IN FIGURE 3**
3. Attach back(6) to the sides as shown in Figure 1, using the screws and washers(7) and nuts(9) provided
4. Set the completed unit into the cutout. You may need to loosen and retighten the screws for a good fit.

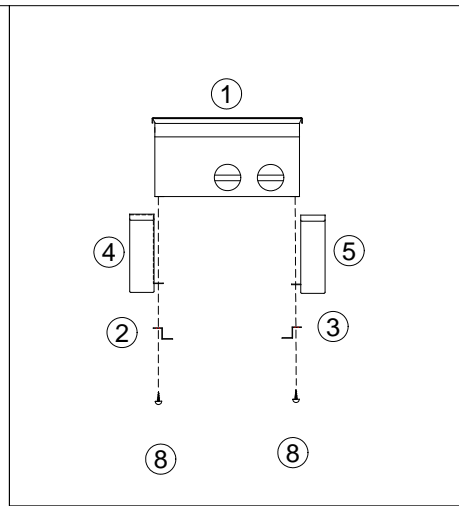


FIGURE 2

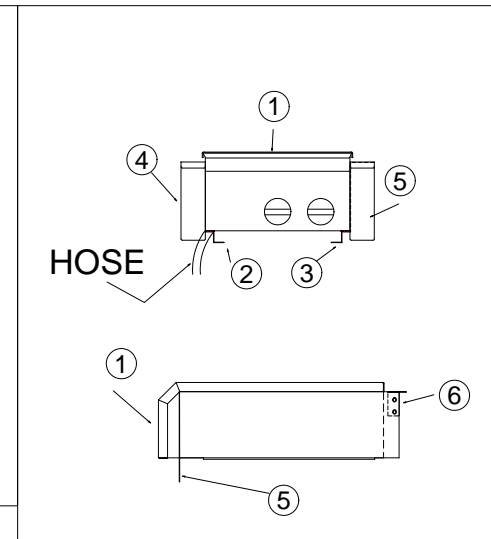


FIGURE 3

### PARTS

- ① SEARMATE
- ② LEFT RUNNER
- ③ RIGHT RUNNER
- ④ LEFT SIDE
- ⑤ RIGHT SIDE
- ⑥ BACK
- ⑦ 4 SCREWS AND 4 WASHERS
- ⑧ RUNNER SCREWS AND WASHERS
- ⑨ NUTS